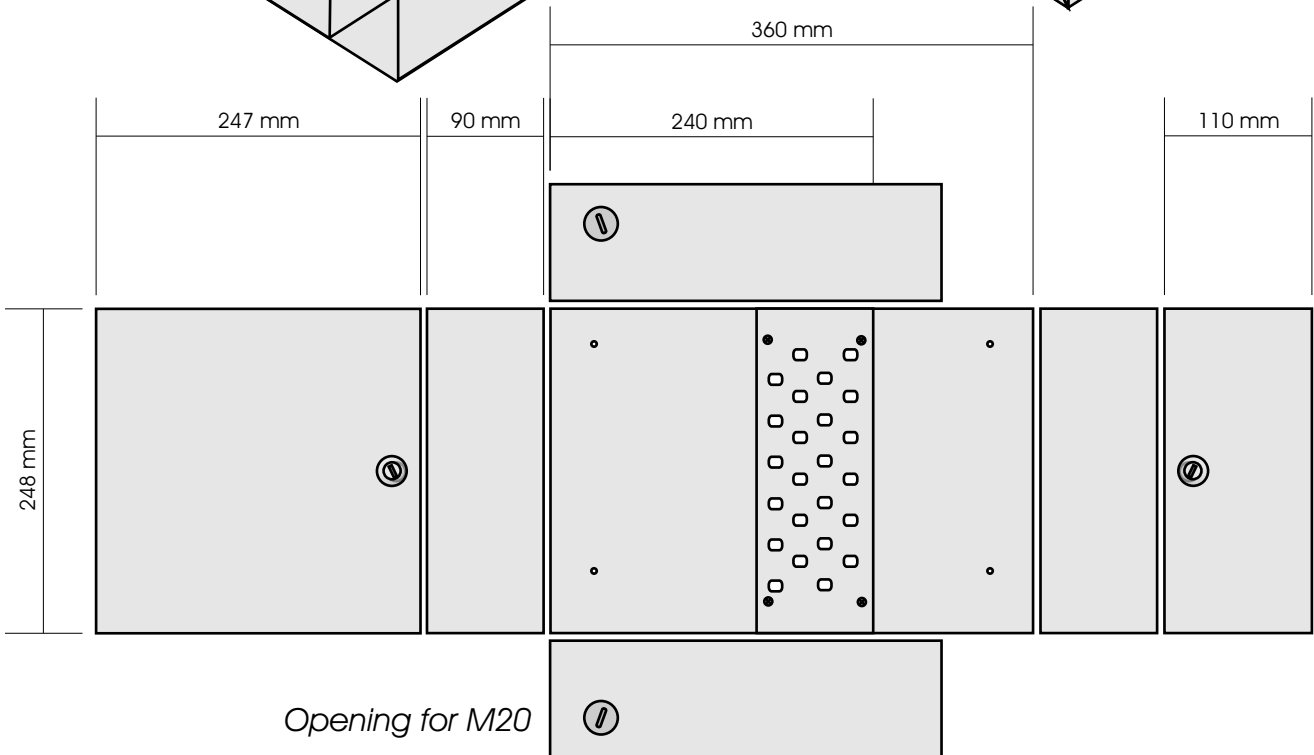
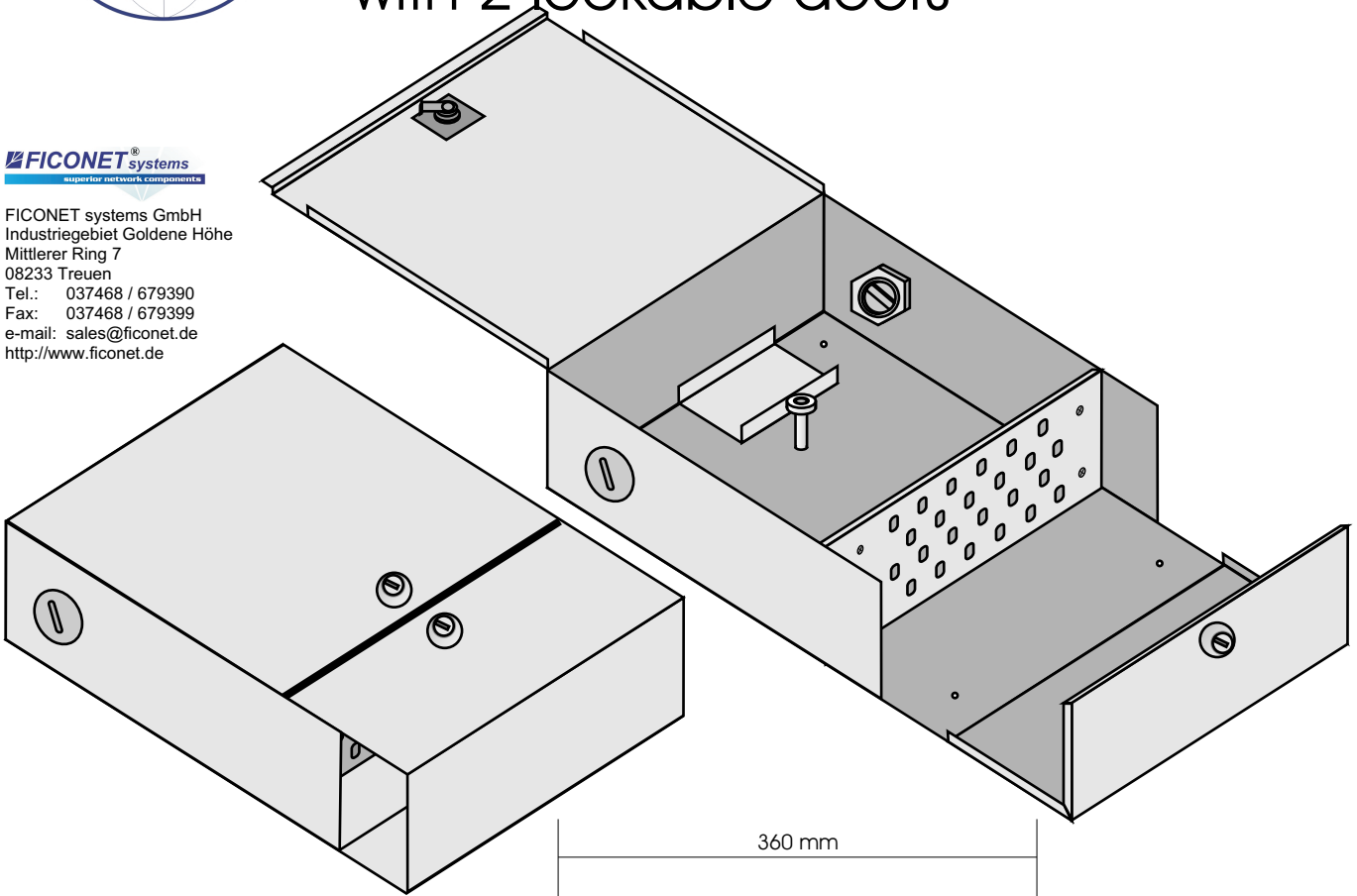




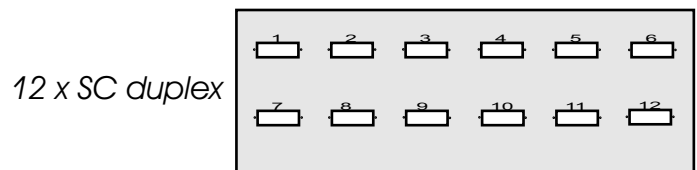
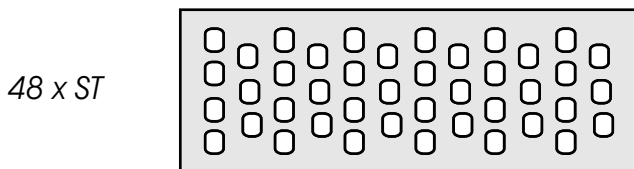
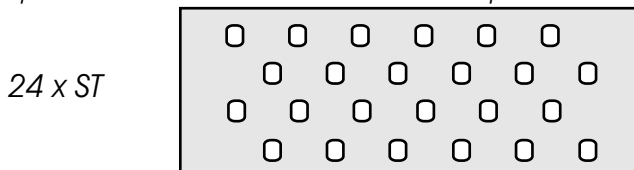
Big wall mounted enclosure with 2 lockable doors



FICONET systems GmbH
 Industriegebiet Goldene Höhe
 Mittlerer Ring 7
 08233 Treuen
 Tel.: 037468 / 679390
 Fax: 037468 / 679399
 e-mail: sales@ficonet.de
 http://www.ficonet.de



Front panel:
 Special customised constructions on request!



Further available:
 16 x SC duplex
 24 x SC simplex

12 x SC simplex
 36 x SC simplex