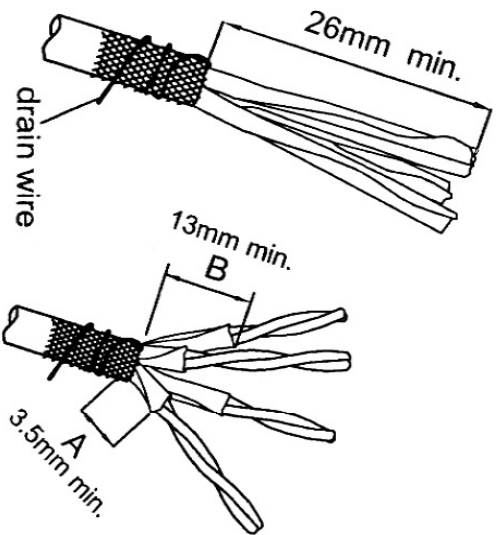
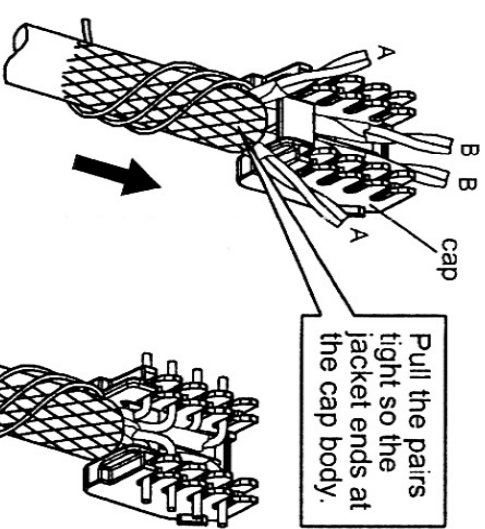


Instruction Sheet



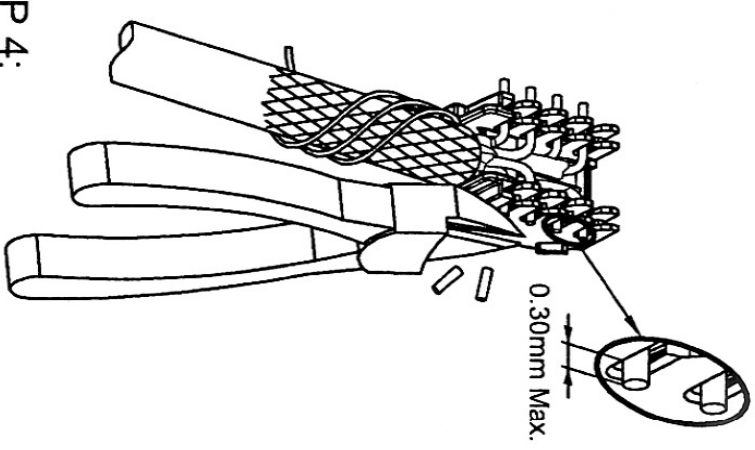
STEP 2:

Strip 26 mm of the jacket and fold braid to cover the jacket. Wrap the drain wire around the cable. The foil length of the wires passing through segment A are 3.5mm and those passing through segment B are 13mm (shown in Step 2)



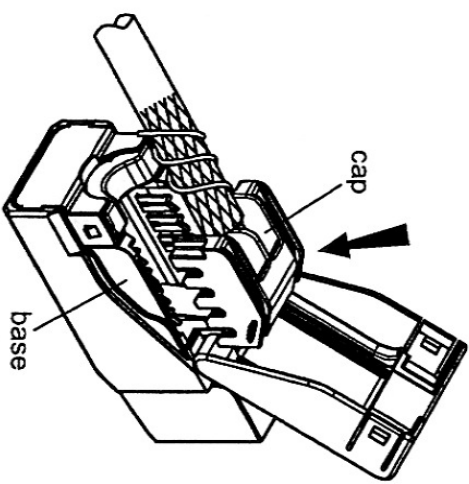
STEP 3:

Insert wire pairs into the correct positions (T568A/568B). Segment B pass through the tunnel and segment A is upper of segment B.



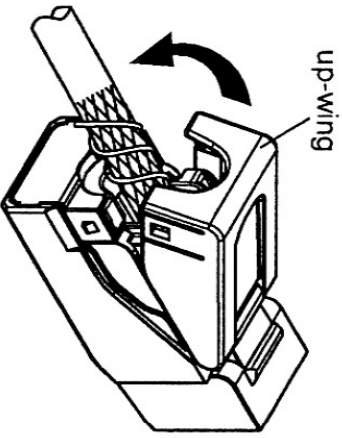
STEP 4:

The tips of the wires should be no more than 0.30mm.



STEP 5:

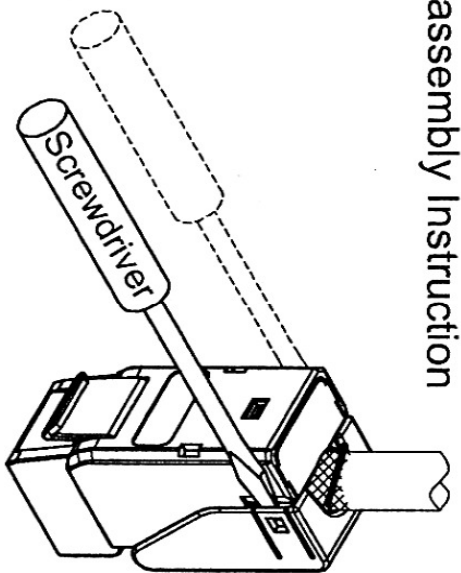
Install cap on base. Be sure they snap together completely.



STEP 6:

Lock the up-wing on the base.

Disassembly Instruction



STEP 1:

In order to remove the connector clip, insert a small screwdriver into the slot.